

# PARTS LIST

## TPP2630

### CONTENTS

1. MAIN BODY .....	1 ~ 2
2. PRUNER HEAD .....	3 ~ 4
3. ENGINE .....	5 ~ 8
4. CARBURETOR, FUEL TANK .....	9 ~ 10
5. ACCESSORIES .....	11 ~ 12

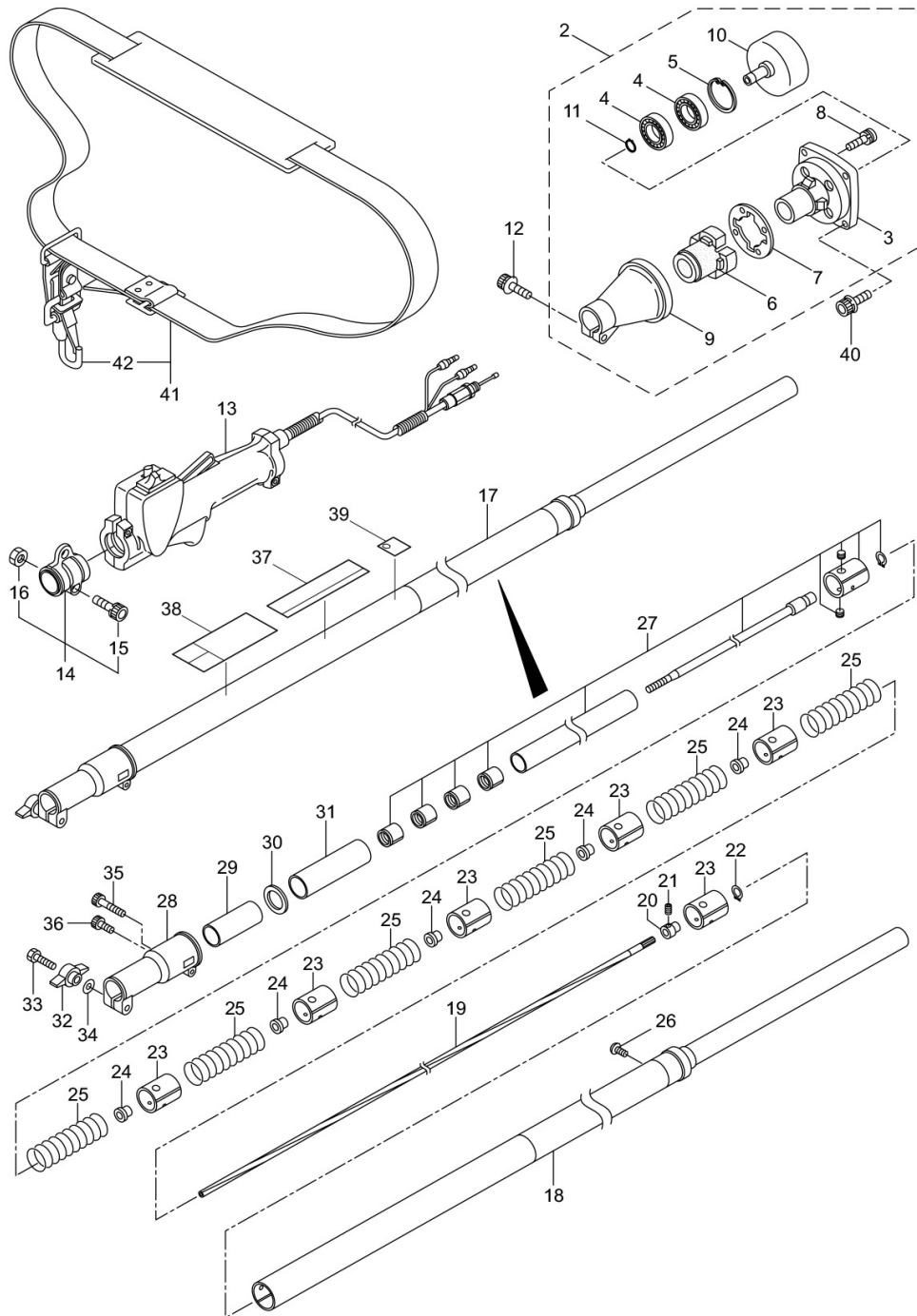
2018. 12.



**MARUYAMA**

P/N 524201-4

1. TPP2630  
MAIN BODY



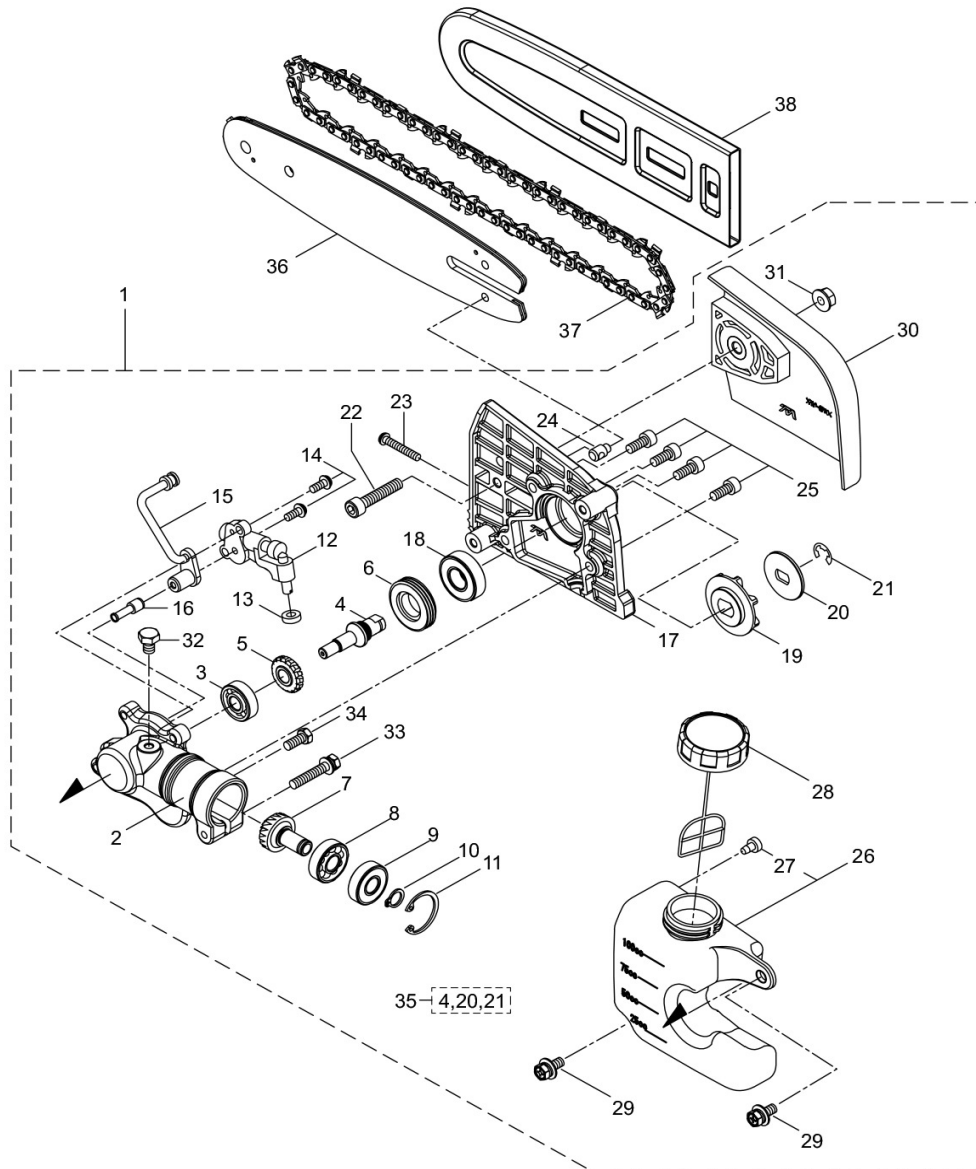
- 1 -

1

Status	Position	Parts Number	Parts Name	Unit Quantity	Set Unit Quantity	Remarks	Price	Maker code
	1	364588	TPP2630(EU01)	1				
	2	224201	CLUTCH CASE ASSY	1		Incl.3-11	2616	
	3	214592	HOUSING	1			493	
	4	214161	BEARING 6000ZZ	2		#6000ZZ	150	
	5	054676	RING SNAP	1	5	#26	15	
	6	560309	RUBBER	1			231	
	7	214163	WASHER	1			45	

Status	Position	Parts Number	Parts Name	Unit Quantity	Set Unit Quantity	Remarks	Price	Maker code
	8	092033	SCREW	4	10	M5x15	10	
	9	214593	PIPE BRACKET	1			516	
	10	220551	CLUTCH DRUM	1			662	
	11	014210	SNAP RING	1	5	#10	10	
	12	261246	CAP SCREW	1	5	M5x25	16	
	13	235078	Throttle Lever Assy (235078)	1				
	14	234694	SWIVEL HANGING BRACKET	1		Incl.15,16	124	
	15	234702	CAP SCREW	1		M5x20	10	
	16	126993	NUT	1	5	M5	10	
	17	237254	SHAFT ASSY FOR TPP277	1		Incl.18-36	20308	
	18	237574	GUIDE PIPE ASSY	1			6277	
	19	237575	DRIVE SHAFT	1			3148	
	20	237576	SET COLOR	1			111	
	21	237577	CAP SCREW	1		M5x6	44	
	22	055186	C-SHAPED SNAP RING 12	1	5	#12	10	
	23	237578	BUSH HOLDER	6			240	
	24	237579	DRIVE BUSH	5			34	
	25	241553	SPRING	6		1.2x28.3-240L	10	
	26	233364	SCREW	1		4x8	10	
	27	237581	MAIN PIPE ASSY	1			4920	
	28	237582	SLIDE HOLDER	1			377	
	29	237583	SLEEVE	1			48	
	30	237584	SLIDE HOLDER WASHER	1			31	
	31	237585	CUSHION TUBE	1			170	
	32	237586	KNOB	1			25	
	33	237587	BOLT	1		M8x40	37	
	34	237588	WASHER	1		8.7x17.6xt1.6	10	
	35	237589	CAP SCREW	1		M6x25	10	
	36	237590	CAP SCREW	1		M5x10	10	
	37	238160	PLATE	1		TPP2630	154	
	38	238749	MARK	1			308	
	39	231264	LABEL	1		111dBA	47	
	40	261250	CAP SCREW	4	5	M5x20	16	
	41	220533	SHOULDER STRAP ASSY	1		Incl.42	400	
	42	231657	HOOK	1			77	

2. TPP2630  
PRUNER HEAD



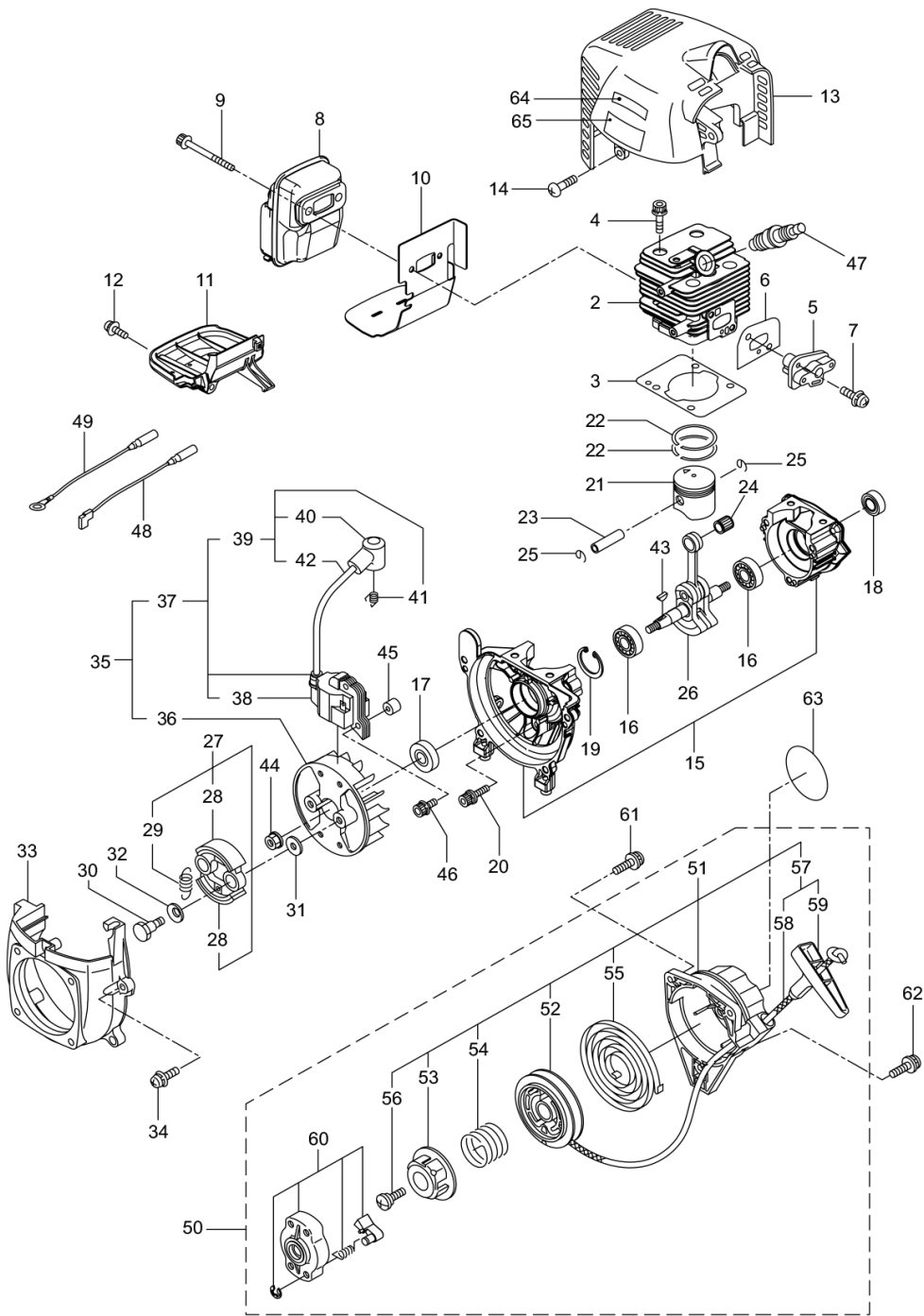
- 3 -

1

Status	Position	Parts Number	Parts Name	Unit Quantity	Set Unit Quantity	Remarks	Price	Maker code
	1	234082	PRUNER HEAD ASSY	1		Incl.2-35	7939	
	2	231855	GEAR CASE ASSY	1			947	
	3	227990	BEARING #608	1		#608	111	
	4	241692		1			0	
	5	231857	GEAR	1			539	
	6	231858	WORM GEAR	1			296	
	7	231859	PINION SHAFT	1			554	

Status	Position	Parts Number	Parts Name	Unit Quantity	Set Unit Quantity	Remarks	Price	Maker code
	8	227992	BEARING 609	1		#609	127	
	9	227993	BEARING #609Z	1		#609Z	147	
	10	228477	C-SHAPED RING	1		#9	10	
	11	140270	C-SHAPED SNAP RING	1		#24	19	
	12	231860	OILER	1			685	
	13	231861	SEAL	1			47	
	14	231862	SCREW	2			11	
	15	231863	OIL PIPE	1			70	
	16	231864	STRAINER	1			154	
	17	234084	GEARCASE B	1			1016	
	18	227991	BEARING 6001 2RS	1		#6001DDU	231	
	19	231866	SPROCKET	1			170	
	20	241693		1			0	
	21	241694		1		BETW-8	0	
	22	125588	BOLT	1		M6x30	10	
	23	234085	SCREW	1		M4x30	11	
	24	231870	ADJUSTER	1			62	
	25	231871	BOLT	4		M5x12	16	
	26	234086	OIL TANK ASSY	1		Incl.27	539	
	27	231873	BREATHER	1			31	
	28	231874	TANK CAP ASSY	1			231	
	29	092580	BOLT	2	10	M5x12	10	
	30	231875	CHAIN COVER COMPLETE	1			347	
	31	126756	FLANGE NUT	1	5	M6	10	
	32	089819	BOLT	1	10	M6x8	10	
	33	261246	CAP SCREW	1	5	M5x25	16	
	34	215993	CAP SCREW	1		M5x10	11	
	35	241691		1		Incl.4,20,21	0	
	36	234088	GUIDE BAR	1			4498	
	37	289536	CHAIN	1			1560	806170MBP
	38	234087	CHAIN COVER	1			185	

3. TPP2630  
ENGINE



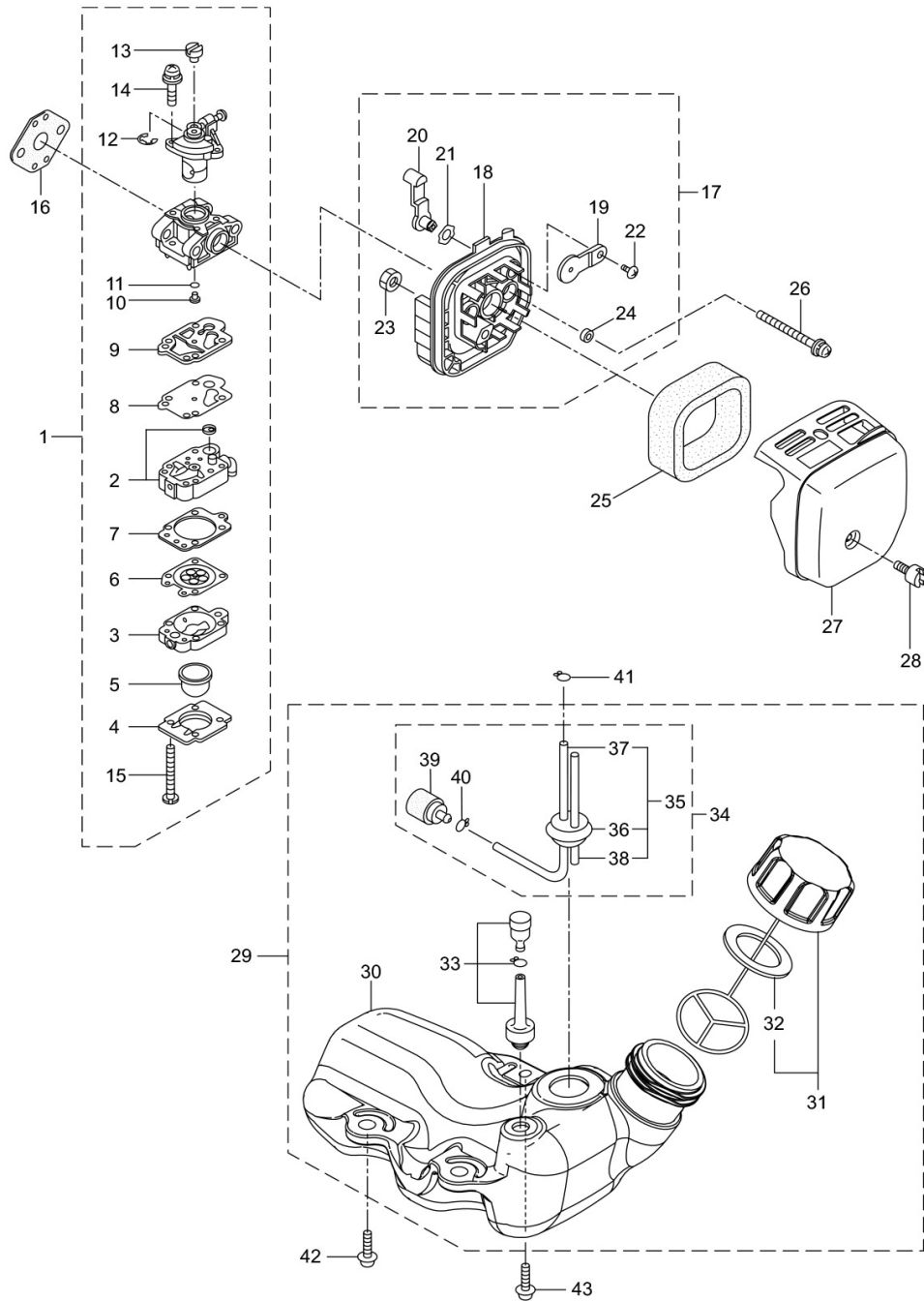
- 5 -

1

Status	Position	Parts Number	Parts Name	Unit Quantity	Set Unit Quantity	Remarks	Price	Maker code
	1	859888		1		EE262/03	0	
	2	273153	CYLINDER	1			1945	
	3	282330	GASKET	1	5		29	
	4	261250	CAP SCREW	4	5	M5x20	16	
	5	282579	INSULATOR	1			280	
	6	267049	GASKET	1	5		20	

Status	Position	Parts Number	Parts Name	Unit Quantity	Set Unit Quantity	Remarks	Price	Maker code
	7	269826	SCREW	2	5	M5x25	23	
	8	276315	MUFFLER	1			2129	
	9	266402	CAP SCREW	2	5	M5x55	49	
	10	273147	GASKET	1			176	
	11	273618	UNDER COVER	1			129	
	12	269827	SCREW	1	5	M5x16	12	
	13	276319	TOP COVER	1			1214	
	14	280144	TAPPING SCREW	1	5		12	
	15	273673	CRANKCASE	1			1260	
	16	280488	BEARING 6001C3	2		PPL 6001	423	
	17	261492	OIL SEAL	1		ISCD12287	65	
	18	261386	OIL SEAL	1		ISCD12227	63	
	19	055185	SNAP RING #28	1	5	#28	16	
	20	261612	CAP SCREW	3		M5x30	18	
	21	273155	PISTON	1			687	
	22	261496	PISTON RING	2		(2)Required	143	
	23	261497	PISTON PIN	1			76	
	24	261037	BEARING NEEDLE KBK8X11X11.8X1	1		KBK8x11x11.8x1	196	
	25	261576	CLIP PISTON	2			14	
	26	282323	CRANKSHAFT COMPLETE	1			2125	
	27	264503	CLUTCH ASSY	1		Incl.28,29	647	
	28	264504	CLUTCH SHOE	2		(2)Required	385	
	29	263614	SPRING CLUTCH	1			103	
	30	264505	BOLT	2			63	
	31	261189	WASHER	2	5	6x16.5xt1.2	12	
	32	261777	WAVE WASHER	2	5		25	
	33	283386	FAN COVER	1			552	
	34	269831	SCREW	4	5	M5x20	12	
	35	282692	MAGETO ASSY	1		Incl.36-42	3498	
	36	261356	ROTOR	1			1614	
	37	282693	IGNITION COIL ASSY	1		Incl.38-42	1867	
	38	267401	COIL	1			1798	
	39	282694	SPARK PLUG WIRE ASSY	1		Incl.40-42	527	
	40	261074	PLUG BOOT	1			94	
	41	261075	CONNECTOR	1			54	
	42	282695	SPARK PLUG WIRE	1			36	
	43	261076	WOODRUFF KEY 3X10	1	5	3x10	40	
	44	261417	NUT ROTOR M8	1	5	M8	14	
	45	280381	SPACER	2	5		20	
	46	261256	BOLT	2	5	M4x25	16	
	47	288264	SPARK PLUG	1		BPMR8Y	636	
	48	267492	LEAD	1		130L	63	
	49	282880	WIRE LEAD	1			52	
	50	282404	RECOIL STARTER ASSY	1		Incl.51-60	1258	
	51	282405	RECOIL STARTER ASSY	1		Incl.52-59	1003	
	52	283411	RECOIL REEL	1			232	
	53	283412	CAM PLATE	1			116	
	54	280930	DAMPER SPRING	1			200	
	55	280931	SPIRAL SPRING	1			309	
	56	267213	SCREW	1			45	
	57	280932	ROPE ASSY	1		Incl.58,59	207	
	58	280933	STARTER ROPE	1			94	
	59	267219	STARTER GRIP	1			32	
	60	280934	STARTER PULLEY ASSY	1			256	
	61	280489	SCREW	2	5	M4x20	12	
	62	269833	SCREW	1	5	M4x16	18	
	63	276736	LABEL	1			334	
	64	284587	LABEL	1			43	
	65	286122	LABEL	1		MARUYAMA	43	

4. TPP2630  
CARBURETOR, FUEL TANK



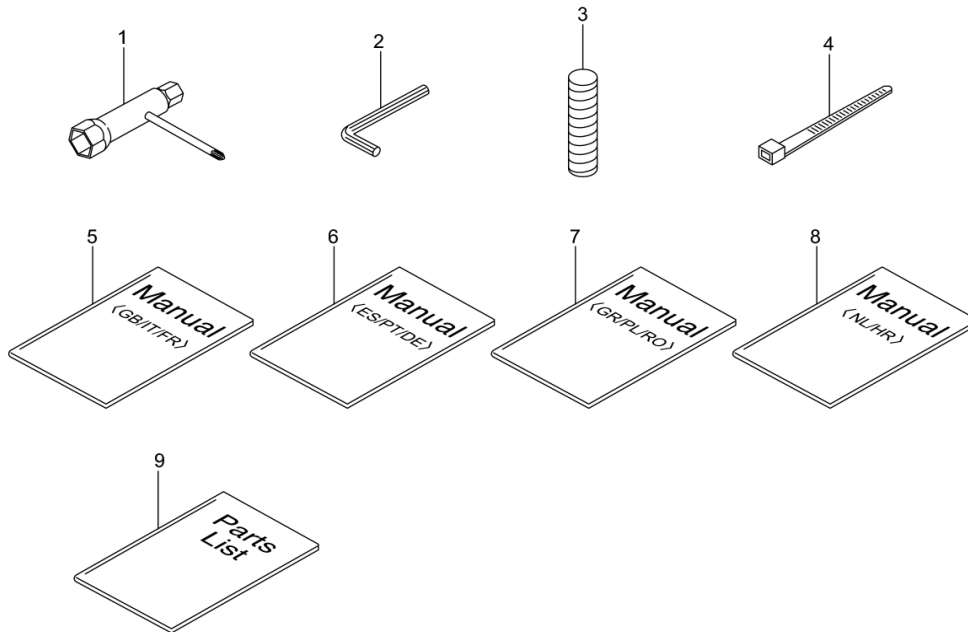
- 9 -

1

Status	Position	Parts Number	Parts Name	Unit Quantity	Set Unit Quantity	Remarks	Price	Maker code
	1	276328	CARBURETOR	1		Incl.2-15	2178	
	2	281597	BODY	1			1494	
	3	262991	PURGE BODY	1			400	
	4	262992	COVER	1			174	
	5	261874	PRIMER	1			152	
	6	283905	DIAPHRAGM METERRING	1			560	
	7	262993	GASKET	1			134	

Status	Position	Parts Number	Parts Name	Unit Quantity	Set Unit Quantity	Remarks	Price	Maker code
	8	262994	DIAPHRAGM	1			212	
	9	282576	GASKET	1			116	
	10	285030	MAIN JET	1			320	
	11	261871	O-RING	1			80	
	12	261876	RING	1			38	
	13	261658	SWIVEL	1			140	
	14	264682	SCREW	2			54	
	15	262996	SCREW	4	5		40	
	16	261864	GASKET	1	5		29	
	17	289048	CASE	1		Incl.18-24	203	
	18	269050	CASE BODY	1			92	
	19	289019	MACHINED DISC	1			38	
	20	284803	LEVER	1			36	
	21	284816	WASHER	1	5	6.4x11x0.15	14	
	22	269032	SCREW	1	5		14	
	23	126993	NUT	1	5	M5	10	
	24	269051	SLEEVE	2			23	
	25	269030	ELEMENT	1			43	
	26	281777	SCREW	2	5	M5x55	20	
	27	269580	CLEANER COVER	1			67	
	28	269031	CAP SCREW	1	5	M5x12	14	
	29	276310	TANK ASSY	1		Incl.30-40	1425	
	30	273467	FUEL TANK	1			449	
	31	275306	CHEMICAL TANK CAP	1		Incl.32	138	
	32	274875	PACKING	1			76	
	33	261696	BREATHER ASSY	1			263	
	34	265752	FUEL PIPE	1		Incl.35-40	387	
	35	264031	FUEL PIPE ASSY	1		Incl.36-38	165	
	36	261115	GROMMET	1			98	
	37	261690	FUEL PIPE	1		160L	38	
	38	263038	RETURN PIPE	1		3x6x85L	36	
	39	264653	FILTER ASSY	1			145	
	40	261117	CLIP	1			23	
	41	261117	CLIP	1			23	
	42	269828	SCREW	2	5	M5x16	12	
	43	281208	SCREW	1	5	M5x16	20	

## 5. TPP2630 ACCESSORIES



- 11 -

1

Status	Position	Parts Number	Parts Name	Unit Quantity	Set Unit Quantity	Remarks	Price	Maker code
	1	219968	COMBI.BOX SPANNER	1		10x19x(-)	154	
	2	219432	WRENCH	1		4mm	32	
	3	234954	COLGATE TUBE	1		60L	223	
	4	234955	BAND	1		3.4x145L	18	
	5	238164		1		GB/IT/FR	0	
	6	238165		1		ES/PT/DE	0	
	7	238166		1		GR/PL/RO	0	

Status	Position	Parts Number	Parts Name	Unit Quantity	Set Unit Quantity	Remarks	Price	Maker code
	8	238167		1		NL/HR	0	
	9	524201		1		TPP2630	0	