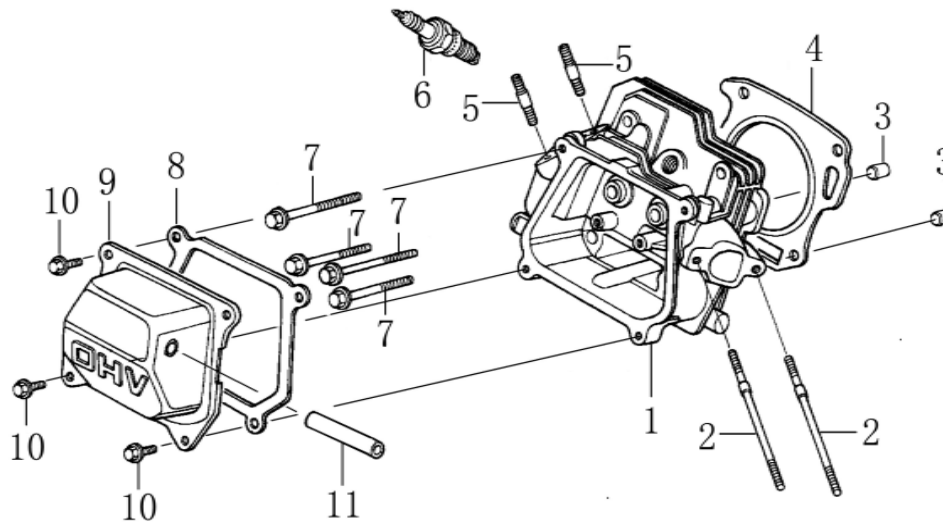


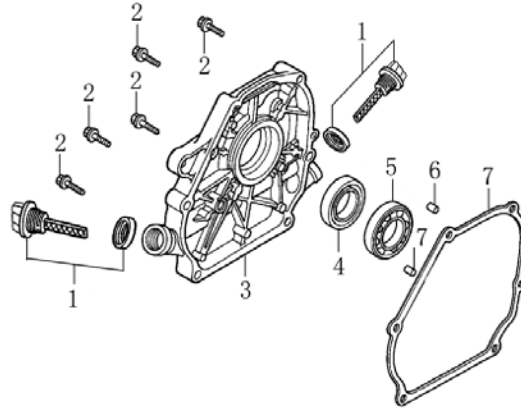
(CRANK CASE)

No.	Part No.	Description	Reqd. QTY	UNIT	CONSUMABLE GRADE
1	110810006-0001	Crankcase body	1	件/PIECES	B
2	380650347-0001	Oil seal	1	件/PIECES	A
3	380450514-0001	Flat washer	2	件/PIECES	C
4	110260025-0001	Sealing plug screw	2	件/PIECES	C
5	281890001-0001	ALART UNIT , OIL	1	件/PIECES	A
6	380140011-0004	BOLT , FLANGE	1	件/PIECES	C
7	281850150-0001	OIL LEVEL SWITCH	1	套/SETS	A
8	380140215-0003	BOLT , FLANGE	2	件/PIECES	C
9	171750002-0001	Components of governor	1	套/SETS	B
10	380630137-0002	Bearing	1	件/PIECES	B
11	380450531-0001	Flat washer	1	件/PIECES	C
12	381350004-0001	Pin clip	1	件/PIECES	B
13	171630001-0001	Speed regulating arm	1	件/PIECES	B



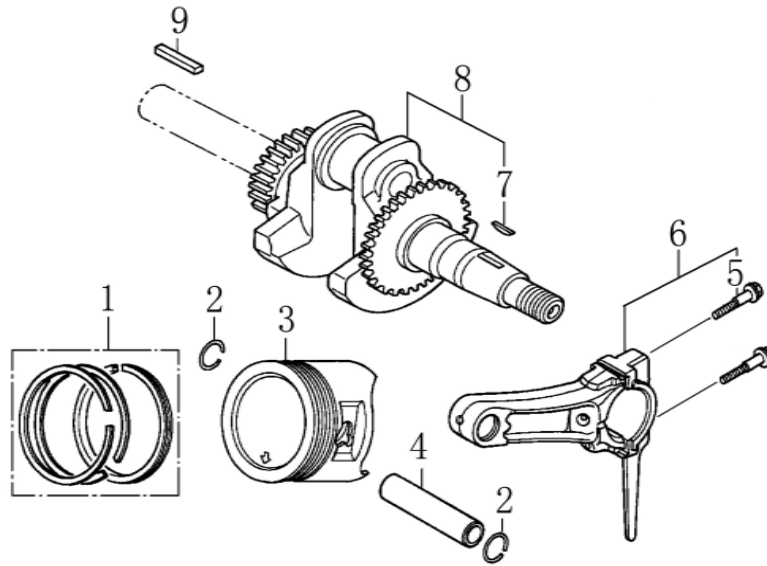
CYLINDER HEAD

No.	Part No.	Description	Reqd.	QTY	UNIT	CONSUMABLE GRAI
1	120080276-0001	Cylinder head	1		件/PIECES	B
2	380180093-0001	Stud	2		件/PIECES	C
3	380600117-0001	ocation pin	2		件/PIECES	C
4	120150070-0001	Gasket for cylinder	1		件/PIECES	A
5	380180098-0001	Stud	2		件/PIECES	C
6	270960014-0001	Spark plug	1		件/PIECES	A
7	380140336-0001	Hexagon bolt with	4		件/PIECES	C
8	120250013-0001	Gasket for cylinder	1		件/PIECES	A
9	120220008-0001	Cylinder head cover	1		件/PIECES	C
10	380140215-0003	Hexagon bolt with	4		件/PIECES	C



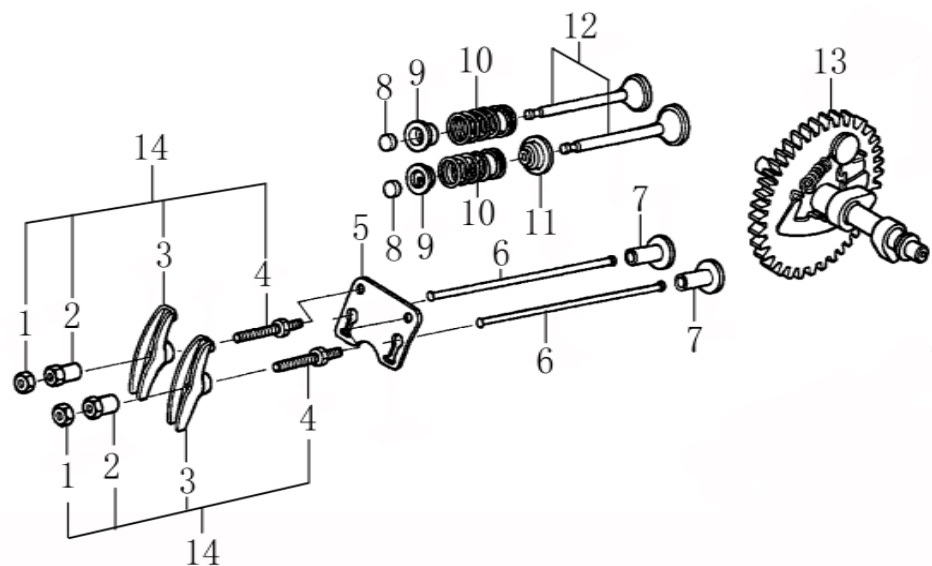
(CRANK CASE COVER)

No.	Part No.	Description	Reqd. QTY	UNIT	CONSUMABLE GRADE
1	110690096-0004	Oil rule combination	2	/SETS	B
2	380140028-0004	Hexagon bolt with washer	6	件/PIECES	C
3	110820014-0001	Crankcase cover	1	件/PIECES	C
4	380650347-0001	Oil seal	1	件/PIECES	A
5	380630137-0002	Bearing	1	件/PIECES	B
6	380600120-0001	ocation pin	2	件/PIECES	C
7	110830007-0001	Crankcase cover gasket	1	件/PIECES	A



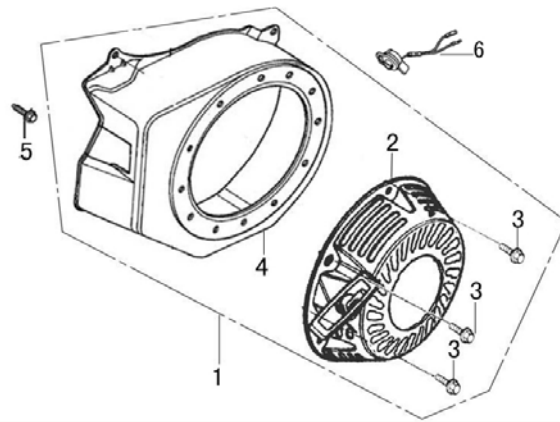
(CRANKSHAFT/PISTON)

No.	Part No.	Description	Reqd. QTY	UNIT	CONSUMABLE GRADE
1	130070079-0001	Piston ring combination	1	/SETS	A
2	380560056-0001	Steel cable baffle ring	2	/PIECES	B
3	130030083-0001	Piston	1	PIECES	A
4	130060031-0001	Piston pin	1	PIECES	B
5	130180001-0001	Connecting rod bolt	2	/PIECES	C
6	130150039-0001	Connecting rod	1	SETS	B
7	380620050-0001	Key	1	PIECES	B
8	130290049-0001	crankshaft	1	SETS	B
9	380620031-0001	Key	1	PIECES	B



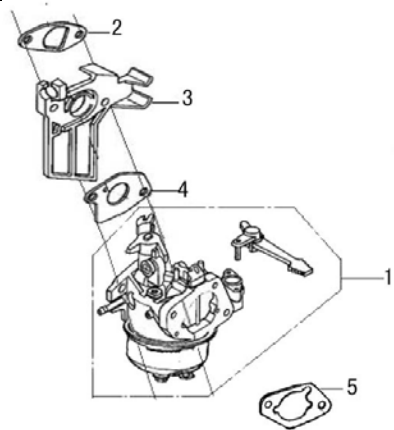
(GAS DISTRIBUTION ADJUSTMENT)

No.	Part No.	Description	Reqd. QTY	UNIT	CONSUMABLE GRADE
1	140470001-0001	Valve lock nut	2	PIECES	B
2	140490012-0001	Adjustable nut of valve	2	PIECES	B
3	140460030-0001	Valve rocker	2	PIECES	B
4	140480012-0001	Adjustable bolt of valve	2	PIECES	B
5	140710001-0001	Plate, push rod guide	1	PIECES	B
6	140670004-0001	Push rod	2	PIECES	B
7	140690003-0001	Lifter, Valve	2	PIECES	B
8	140320001-0001	Valve adjustment cap	2	PIECES	B
9	140380017-0001	Retainer, valve spring	2	PIECES	B
10	140340022-0001	Inner spring of valve	2	PIECES	B
11	140400011-0001	Valve oil seal	1	PIECES	A
12	500550024-0001	Valve Kit	1	PIECES	B
13	140020114-0001	Camshaft assy	1	PIECES	B
14	140450022-0001	Valve rocker combination	2	PIECES	B



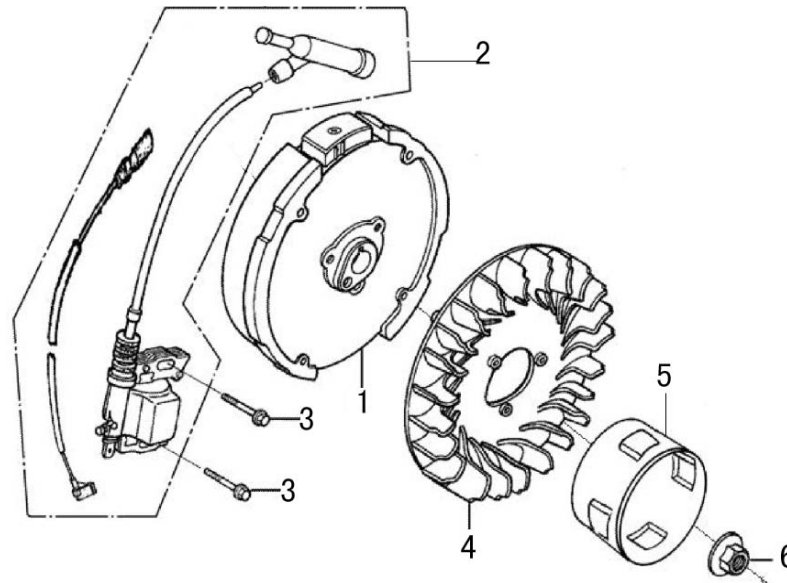
(STARTER SUBASSEMBLY)

序号	零部件件号	Description	Reqd. QTY	UNIT	CONSUMABLE GRADE
No.	Part No.				
1	193490016-0040	Manual starting assembly	1	SETS	B
2	193500011-0001	Manual starting components	1	PIECES	B
3	380140531-0001	Hexagon bolt with flange	3	PIECES	C
4	160210006-0005	Fan cover comp.	1	PIECES	C
5	380140011-0004	Hexagon bolt with flange	4	PIECES	C
6	271660028-0001	Stop switch	1	PIECES	A



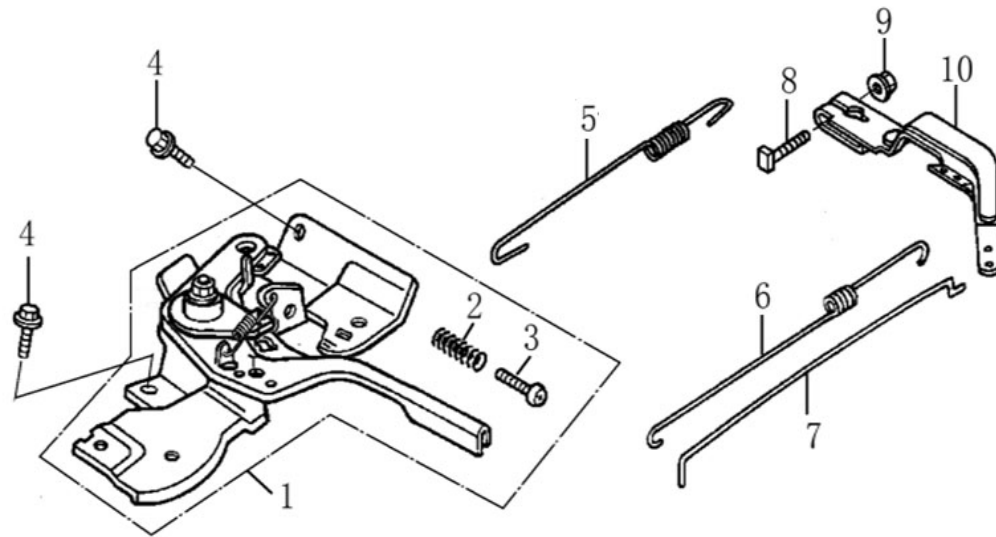
(CARBURETOR)

No.	Part No.	Description	Reqd. QTY	UNIT	CONSUMABLE GRAD
2	170430060-0001	Carburetor gasket	1	PIECES	A
3	170440089-0001	Heat insulating pad for	1	PIECES	B
4	170430048-0001	Carburetor gasket	1	PIECES	A
5	170430065-0001	Carburetor gasket	1	PIECES	A



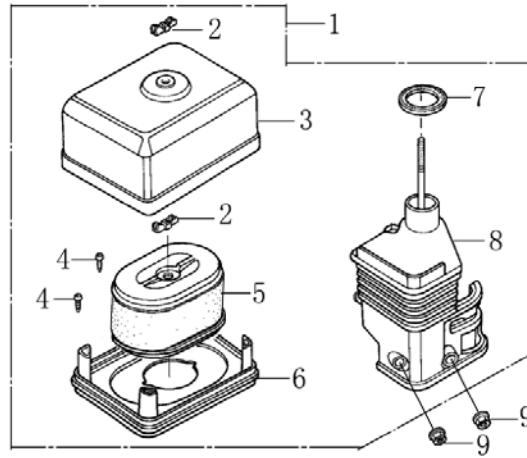
(FLYWHEEL/COIL ASSY.)

No.	Part No.	Description	Reqd. QTY	UNIT	CONSUMABLE GRADE
1	270020097-0001	FLYWHEEL COMP	1	PIECES	B
2	270920162-0001	COIL ASSY., IGNNTION	1	SETS	A
3	380140102-0004	Hexagon bolt with flange	2	PIECES	C
4	160180007-0001	Impeller	1	PIECES	A
5	193590005-0001	Starting disc	1	PIECES	B
6	380370051-0001	Hexagon nut with flange	1	PIECES	C



(CONTROL SYSTEM)

No.	Part No.	Description	Reqd. QTY	UNIT	CONSUMABLE GRADE
1	171680135-0001	Throttle handle combination	1	SETS	B
2	171660001-0001	speed regulating Limit	1	PIECES	A
3	380200017-0005	Cross recessed pan head	1	PIECES	C
4	380140011-0004	Hexagon bolt with flange	2	PIECES	C
5	171600036-0001	Governing spring	1	PIECES	A
6	171610002-0001	throttle return spring	1	PIECES	A
7	171590002-0001	Throttle rod	1	PIECES	B
8	380250002-0001	Square head set screw with	1	PIECES	C
9	380370066-0001	Hexagon nut with flange	1	PIECES	C
10	171620001-0003	Speed regulating bracket	1	PIECES	B



(AIR CLEANER)

No.	Part No.	Description	Reqd. QTY	UNIT	CONSUMABLE GRADE
1	180020313-0001	Air filter	1	SETS	B
2	380440002-0002	Butterfly nut	2	PIECES	C
3	180070087-0001	Air filter casing cover	1	PIECES	B
4	380310015-0005	Cross recessed pan head tapping screw	2	PIECES	C
5	180100034-0001	Air filter element	1	PIECES	A
6	180330018-0001	Support plate body of	1	PIECES	B
7	380840437-0001	Seal ring	1	PIECES	A
8	180280001-0001	Air filter seat	1	PIECES	B
9	380370048-0001	Hexagon nut with flange	2	PIECES	C